



INCANDESCENT/COMPACT FLUORESCENT/MEDIUM BASE HID



Class I, Div. 1 & 2, Groups C,D
Class I, Zones 1 & 2, Groups IIB, IIA
Class II, Div. 1 & 2, Groups E,F,G
Class III, Div. 1 & 2
Suitable for wet locations
UL Marine Rated (US Only)
NEMA 3, 4, 4X
Factory Sealed

- Files E10514 and E91793 (Marine)

- File LR11713

FEATURES-SPECIFICATIONS

HOSTILELITE®

Applications

HostileLite® EM & EQ Series fixtures are designed for installations where moisture, dirt, dust, corrosion and vibration may be present, or NEMA 3 and 4x areas where wind, water, snow or high ambients can be expected. They can be used in locations made hazardous due to the presence of flammable or explosive gases, vapors and combustible dusts as defined by the NEC.

applications include classified areas such as paint manufacturing plants, ammunition facilities, oil and gas producing and refining plants, off-shore and dockside installations, tank farms, pipeline pumping stations and marine loading and fuel transfer terminals.

Features

- Four light sources—Incandescent, compact fluorescent, high pressure sodium and metal halide
- Mounting choice—Pendant, ceiling, 25° stanchion or 90° wall mount, all with “wireless” design that allows fast, easy fixture installation
- Factory sealed—No external seal needed. Simply wire mounting cap and thread on fixture to install
- Compact size—Medium base incandescent and HID lamps, plus PL fluorescent lamps allow smaller fixture design
- Corrosion resistant—Copper-free aluminum die-cast construction. Baked powder epoxy finish, electrostatically applied. Exposed hardware is 316 grade stainless steel

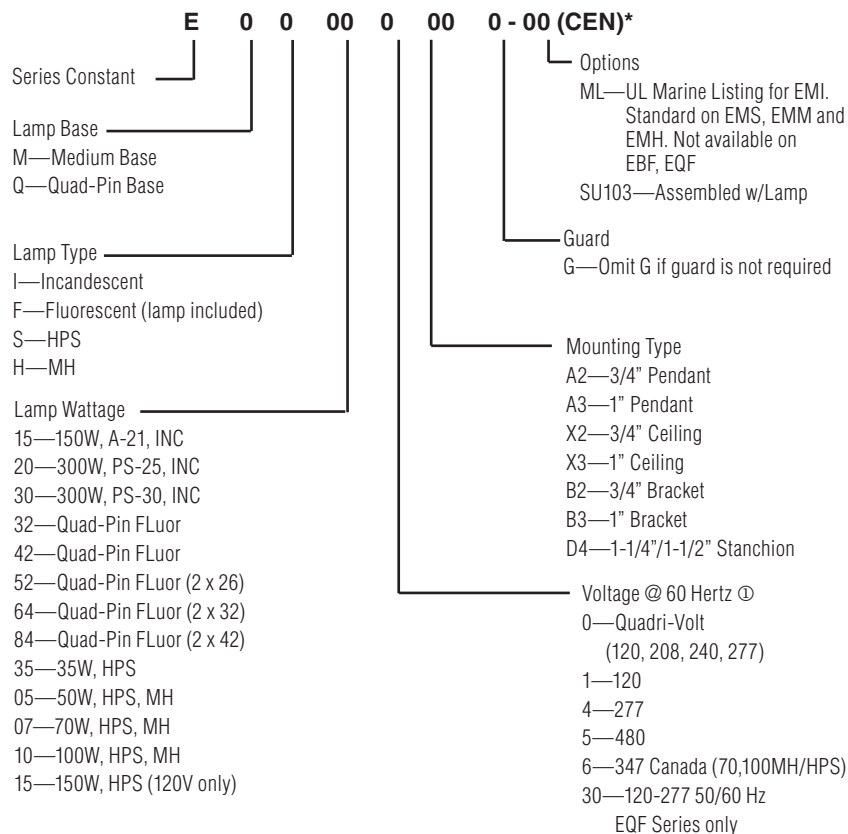
Accessories

- Available with or without guard, standard dome or 25° angle reflector, exit sign and inner colored globes

Compliances

- UL-844 Electric Lighting Fixtures for use in Hazardous Locations
- UL Marine Type Electric Lighting Fixtures
- UL-1598 Standard for Fluorescent, Incandescent and HID fixtures
- CSA C22.2 no. 137-M1981 Electric Luminaires for use in Hazardous Locations
- NEMA 3, 4, 4X, 7CD, 9EFG

Catalog Number Logic



*CEN (GENELEC) approval option available on certain models. See page L150 for more information.

① Consult factory for available lamp and voltage combinations.



INCANDESCENT, 60-300W MEDIUM BASE; COMPACT FLUORESCENT, 13-84W

Class I, Div. 1 & 2, Groups C,D
 Class I, Zones 1 & 2, Groups IIB, IIA
 Class II, Div. 1 & 2, Groups E,F,G
 Class III, Div. 1 & 2
 Suitable for wet locations
 Marine Rated (US Only)
 NEMA 3, 4, 4X
 Factory Sealed

UL LISTED - Files E10514 and E91793 (Marine)
SP Certified - File LR11713



Pendant



Ceiling



Wall



Stanchion

FEATURES-SPECIFICATIONS

EM 60 – 300W MEDIUM BASE INCANDESCENT ①						
LAMP TYPE	LAMP/WATTS	LAMP SIZE	CATALOG NUMBER ④			
			PENDANT 3/4" ②	CEILING 3/4" ②	WALL 3/4" ②	STANCHION 1-1/4" ③
INC	60, 75, 100, 150	A-19, A-21	EMI15A2G	EMI15X2G	EMI15B2G	EMI15D4G
	100, 150, 200, 300	A-23, PS-25	EMI20A2G	EMI20X2G	EMI20B2G	EMI20D4G
	200, 300	PS-25, PS-30	EMI30A2G	EMI30X2G	EMI30B2G	EMI30D4G

EQF 26 - 42W WORLD VOLTAGE QUAD - PIN COMPACT FLUORESCENT ①						
LAMP TYPE	QUAD-PIN FLUORESCENT		CATALOG NUMBER ④			
	LAMP INCLUDED	LINE VOLTAGE	PENDANT 3/4" ②	CEILING 3/4" ②	WALL 3/4" ②	STANCHION 1-1/4" ③
COMPACT FLUOR.	26 Watt 5	120-277VAC 50-60Hz	EQF2630A2G	EQF2630X2G	EQF2630B2G	EQF2630D4G
	32 Watt 5	120-277VAC 50-60Hz	EQF3230A2G	EQF3230X2G	EQF3230B2G	EQF3230D4G
	42 Watt 5	120-277VAC 50-60Hz	EQF4230A2G	EQF4230X2G	EQF4230B2G	EQF4230D4G
	52 Watt (2 X 26)	120-277VAC 50-60Hz	EQF5230A2G	EQF5230X2G	EQF5230B2G	EQF5230D4G
	64 Watt (2 X 32)	120-277VAC 50-60Hz	EQF6430A2G	EQF6430X2G	EQF6430B2G	EQF6430D4G
	84 Watt (2 X 42)	120-277VAC 50-60Hz	EQF8430A2G	EQF8430X2G	EQF8430B2G	EQF8430D4G

① See Hazardous Location Application Data on pages L150 - L151 for specific suitabilities.
 ② For 1" pendant, ceiling and wall hubs, substitute "3" for "2" in catalog number; example: EQF2630A3G.
 ③ Stanchion conduit hub size supplied is 1-1/2" with 1-1/2" to 1-1/4" reducer for 1-1/4" mounting. (refer to catalog logic).
 ④ Luminaire catalog numbers include guards. To order luminaire without guard, omit last letter "G" from catalog number.
 ⑤ EQF 26-42 Watt fixtures use a tank extension ring and are 2.5" taller than EBF fixtures.
 NOTE: Reflectors must be ordered separately (see page L146). All luminaires are designed for mounting with lamp in base up position.



LIGHTING

HID, 35-150W MEDIUM BASE



Class I, Div. 1 & 2, Groups C,D
 Class I, Zones 1 & 2, Groups IIB, IIA
 Class II, Div. 1 & 2, Groups E,F,G
 Class III, Div. 1 & 2
 Suitable for wet locations
 Marine Rated (US Only)
 NEMA 3, 4, 4X
 Factory Sealed

LISTED - Files E10514 and E91793 (Marine)

Certified - File LR11713

FEATURES-SPECIFICATIONS

EM 35 - 150W MEDIUM BASE HIGH PRESSURE SODIUM ① ④							
LAMP TYPE	LAMP WATTS	ANSI LAMP TYPE	VOLTAGE @60 HERTZ	CATALOG NUMBER ④			
				PENDANT 3/4" ②	CEILING 3/4" ②	WALL 3/4" ②	STANCHION 1-1/4" ③
HPS	35	S-76	120	EMS351A2G	EMS351X2G	EMS351B2G	EMS351D4G
	50	S-68	120, 208, 240, 277	EMS050A2G	EMS050X2G	EMS050B2G	EMS050D4G
	70	S-62	120, 208, 240, 277	EMS070A2G	EMS070X2G	EMS070B2G	EMS070D4G
	70	S-62	480	EMS075A2G	EMS075X2G	EMS075B2G	EMS075D4G
	100	S-54	120, 208, 240, 277	EMS100A2G	EMS100X2G	EMS100B2G	EMS100D4G
	100	S-54	480	EMS105A2G	EMS105X2G	EMS105B2G	EMS105D4G
	150	S-55	120	EMS151A2G	EMS151X2G	EMS151B2G	EMS151D4G

EM 50 -100W MEDIUM BASE METAL HALIDE ① ④							
LAMP TYPE	LAMP WATTS	ANSI LAMP TYPE	VOLTAGE @60 HERTZ	CATALOG NUMBER ④			
				PENDANT 3/4" ②	CEILING 3/4" ②	WALL 3/4" ②	STANCHION 1-1/4" ③
MH	50	M-110	120, 208, 240, 277	EMH050A2G	EMH050X2G	EMH050B2G	EMH050D4G
	70	M-98	120, 208, 240, 277	EMH070A2G	EMH070X2G	EMH070B2G	EMH070D4G
	100	M-90	120, 208, 240, 277	EMH100A2G	EMH100X2G	EMH100B2G	EMH100D4G

① See Hazardous Location Application Data on page L150 - L151 for specific suitabilityes.
 ② For 1" pendant, ceiling and wall hubs, substitute "3" for "2" in catalog number; example: EMS351A3G.
 ③ Stanchion conduit hub size supplied is 1-1/2" with 1-1/2" to 1-1/4" reducer for 1-1/4" mounting. (refer to catalog logic).
 ④ Luminaire catalog numbers include guards. To order luminaire without guard, omit last letter "G" from catalog number.
 NOTE: Reflectors must be ordered separately (see page L146). All luminaires are designed for mounting with lamp in base up position.



COMPONENT PARTS/ACCESSORIES



EMI15/20/EBF



EMI30 & HID



Pendant



Ceiling



Wall Bracket



25° Stanchion

UL LISTED - Files E10514 and E91793 (Marine)
SP Certified - File LR11713

Housing, Globe and Globe Support Assemblies^①

INCANDESCENT			
CATALOG NUMBER	LAMP TYPE	WATTS	VOLTS ^③
EMI15	A-19	60, 75	250 MAX. VAC
	A-19, A-21	100	
	A-21	150	
EMI20	A-23, PS-25	150	250 MAX. VAC
	A-23, PS-25	200	
	PS-25	300	
EMI30	PS-25	200	250 MAX. VAC
	PS-30	300	

FLUORESCENT WITH LAMP(S)*			
CATALOG NUMBER	ANSI LAMP TYPE	WATTS	VOLTS
EQF2630	Quad Pin Fluorescent	26	120-277 VAC 50-60Hz
EQF3230		32	
EQF4230		42	
EQF5230		52 (2X26)	
EQF6430		64 (2X32)	
EQF8430		84 (2X42)	

HPS			
CATALOG NUMBER	ANSI LAMP TYPE	WATTS	VOLTS @60HZ
EMS351	S-76	35	120
EMS050	S-68	50	Quad
EMS070	S-62	70	Quad
EMS075			480
EMS100			Quad
EMS105	S-54	100	Quad 480
EMS151	S-55	150	120

METAL HALIDE			
CATALOG NUMBER	ANSI LAMP TYPE	WATTS	VOLTS @60HZ
EMH050	M-110	50	Quadri-Volt
EMH070	M-98	70	Quadri-Volt
EMH100	M-90	100	Quadri-Volt

MOUNTING BOXES				
CATALOG NUMBER				HUB SIZE
PENDANT	CEILING	BRACKET	STANCHION	
EZA2	EZX2	EZB2	—	3/4"
EZA3	EZX3	EZB3	—	1"
—	—	—	EZD4*	1-1/4"/1-1/2**

*1-1/2" furnished with 1-1/2"-1-1/4" reducer



HIC-BEIGE replacement wiring plug for EZBx Wall Bracket



Close up plug for EZ mounting boxes. Used for maintenance when fixture is removed for service.



EMG1



EMG2



EACK



Standard Dome



Angle Dome

GUARDS		
CATALOG NUMBER	SERIES	LAMP TYPE
EMG1	EMI15	INC
	EMI20	INC
	EQF (26, 32, 42)	Quad-Pin
EMG2	EMI30	INC
	EMS	HPS
	EMH	MH
	ESX	Strobe
	EQF (52, 64, 84)	Quad-Pin

Guards are cast of copper-free aluminum with electrostatically applied epoxy/polyester finish.

- * Consult factory for 52, 64 and 84 Watt availability.
- ① Assemblies may be ordered with the CEN (CENELEC) suffix. See page L148 for more information.
- ② Adapters for discontinued Killark "H" Series and Crouse Hinds® available.
- ③ UL fixture rating; socket rated 600V.

REFLECTORS		
CATALOG NUMBER		SERIES
STANDARD DOME	ANGLE	
ERSD15	ERA15	EMI15/EMI20
		EQF
ERSD30	ERA30	EMI30
		EMS
		EMH
		EQF (52, 64, 84)

Reflectors are aluminum with white finish.



FACTORY SEALED
 Class I, DIV. 1 BCD
 Class II, DIV. 1&2 EFG
 CLASS III
 NEMA 3, 4X IP66
 *40°C ambient T3 Rated

PHOTO CELL FIELD KITS WITH HKB - GL BOX AND COVER	
CATALOG NUMBER	VOLTS
VMHKPC1	120VAC
VMHKPC2	208-277VAC
VMHKPC3	347VAC



LIGHTING

REPLACEMENT PARTS/ACCESSORIES



Exit Sign Accessory

Hazardous Locations Exit Sign

Applications

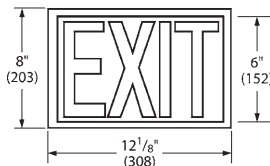
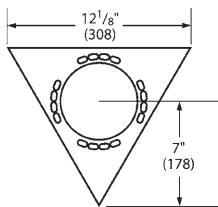
For use in hazardous areas to mark exits over doorways and in hallways.

Features

- Three sided illuminated sign visible from all three sides
- EXIT printed in 6" high red letters with 3/4" strokes as required by OSHA. Sign has open bottom providing light on exit area while illuminating the panel

EXIT SIGN	
CATALOG NUMBER	DESCRIPTION
HEXA-100	Fits EMI15, EMI20, EQF/EEQ Series without guard * (Fixture not included)

* EQF to 42W



REPLACEMENT FLUORESCENT LAMPS	
CATALOG NUMBER	SIZE & TYPE
MQL26	26W Quad-Pin
MQL32	32W Quad-Pin
MQL42	42W Quad-Pin



Replacement Globe & Support Assemblies

REPLACEMENT GLOBE AND GLOBE SUPPORTS			
CATALOG NUMBER ^①	SERIES	LAMP TYPE	MAX. WATTAGE
EMGS1	EMI15	INC	150
	EMI20	INC	300
	EQF	PL Quad-Pin Fluorescent	26, 32, 42
EMGS2 KEMGS3	EMI30	INC	300
	EMS	HPS	150
	EMH	MH	100
	EQF	PL Quad-Pin Fluorescent	52, 64, 84

① EMGS1, EMGS3 are internally fluted glass.

② EMGS2 is smooth clear glass used for ESX strobe.



EM Series



Female EZTB



Male EZCB

REPLACEMENT SOCKETS	
CATALOG NUMBER	DESCRIPTION
EMRS	EM Series E-26 Medium Base

REPLACEMENT CONNECTION BLOCKS	
CATALOG NUMBER	DESCRIPTION
EZTB	Female
EZCB	Male

COLORED GLOBE KITS FOR HAZARDOUS LOCATIONS ^③	
KIT NO.	GLOBE COLOR
KT-100SU41R	RED
KT-100SU41G	GREEN

Used to modify EMI20 Series only fixtures to accept a colored inner globe. The kit includes the globe plus an adapter assembly and mounting instructions.

③ Maximum lamp size A-21 150 Watt.



BALLAST DATA

EM/EB BALLAST DATA								
LAMP SOURCE	LAMP WATTS/TYPE	VOLTAGE @ 60 HERTZ	START (AMPS)	OPERATING (AMPS)	OPEN (AMPS)	BALLAST CIRCUIT	REGULATION	MIN, START
Quad-Pin Fluorescent	26W	120-277	—	.24(120)/.11(277)	—	HPF	ELECTRONIC	0°F (-18°C)
	32W			.31(120)/.13(277)				
	42W			.38(120)/.18(277)				
Quad-Pin Fluorescent	52W (2X26)	120-277	—	.48(120)/.22(277)	—	HPF	ELECTRONIC	0°F (-18°C)
	64W (2X36)			.62(120)/.26(277)				
	84W (2X42)			.76(120)/.36(277)				
HPS	35W S-76	120	0.55	0.4	0.65	R-HPF ①	±5% Line Voltage*	0°F (-40°C)
HPS	50W S-68	120	0.58	0.58	1.24	HX-HPF ①	±5% Line Voltage*	40°F (-40°C)
		208	0.35	0.33	0.59			
		240	0.3	0.29	0.5			
		277	0.24	0.25	0.44			
HPS	70W S-62	120	0.75	0.81	1.45	HX-HPF ①	±5% Line Voltage*	40°F (-40°C)
		208	0.45	0.47	0.85			
		240	0.37	0.4	0.75			
		277	0.35	0.35	0.65			
		480	0.21	0.21	0.36			
HPS	100W S-54	120	1.3	1.15	2.2	HX-HPF ①	±5% Line Voltage*	40°F (-40°C)
		208	0.76	0.66	1.27			
		240	0.66	0.57	1.1			
		277	0.6	0.49	0.85			
		480	0.33	0.28	0.57			
HPS	150W S-55	120	2.2	1.5	2.35	HX-HPF ①	±5% Line Voltage*	40°F (-40°C)
MH	50W M-110	120	0.87	0.6	1.16	HX-HPF ①	±5% Line Voltage ±12% Lamp Watts	-20°F (-30°C)
		208	0.51	0.35	0.67			
		240	0.47	0.3	0.57			
		277	0.39	0.25	0.5			
MH	70W M-98	120	0.8	0.85	1.7	HX-HPF ①	±5% Line Voltage ±12% Lamp Watts	-20°F (-30°C)
		208	0.5	0.5	1.04			
		240	0.43	0.43	0.87			
		277	0.39	0.37	0.78			
MH	100W M-90	120	1.2	1.15	2.3	HX-HPF ①	±5% Line Voltage ±12% Lamp Watts	-20°F (-30°C)
		208	0.7	0.6	1.3			
		240	0.61	0.55	1.1			
		277	0.55	0.45	0.95			

* Lamp watts within ANSI Trapezoid limitations.

① Ballast circuits are High Power Factor 90%+.



LIGHTING

EM/EQ/ESX/EEQ SERIES

DIMENSIONS



Pendant



Ceiling



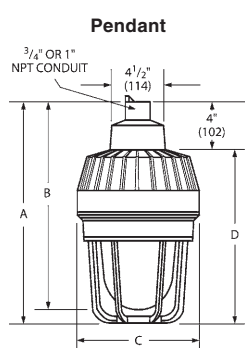
Wall



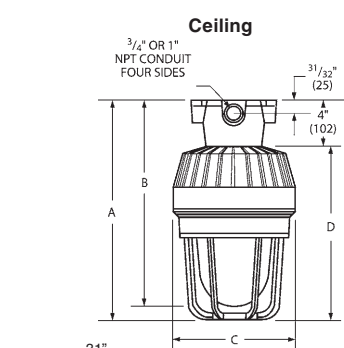
Stanchion

FEATURES-SPECIFICATIONS

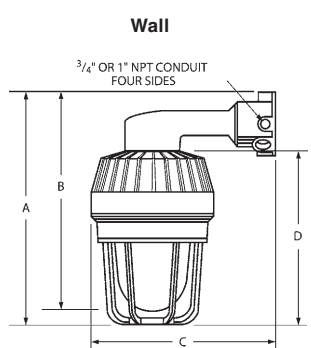
EM/ EMB /ESX DIMENSIONS															
SERIES	PENDANT				CEILING				WALL				STANCHION		
	A	B	C	D	A	B	C	D	A	B	C	D	A	B	C
EMI15	14-5/16"	13-11/16"	7-7/16"	10-5/16"	14-5/16"	13-11/16"	7-7/16"	10-5/16"	15-13/16"	14-7/16"	14-1/2"	10-5/16"	14"	13-1/4"	13"
EMI20	(363)	(346)	(188)	(261)	(363)	(347)	(188)	(261)	(385)	(366)	(369)	(26)	(256)	(337)	(330)
EQF to 42W	16-13/16"	16-3/16"	7-7/16"	12-5/8"	16-13/16"	16-3/16"	7-7/16"	12-5/8"	18-5/16"	16-15/16"	14-1/2"	12-5/8"	16-1/4"	15-3/4"	15-1/4"
EEQ	(427)	(411)	(188)	(321)	(427)	(411)	(188)	(321)	(465)	(430)	(368)	(321)	(413)	(400)	(387)
EMI30															
EMH															
EMS	15-15/16"	15-1/16"	8-13/16"	11-15/16"	15-15/16"	15-1/16"	8-13/16"	11-15/16"	16-13/16"	15-13/16"	15"	11-15/16"	15-1/8"	14"	13-1/2"
ESX	(404)	(382)	(224)	(303)	(404)	(382)	(224)	(303)	(426)	(404)	(379)	(303)	(384)	(356)	(343)
EQF 52, 64, 84															



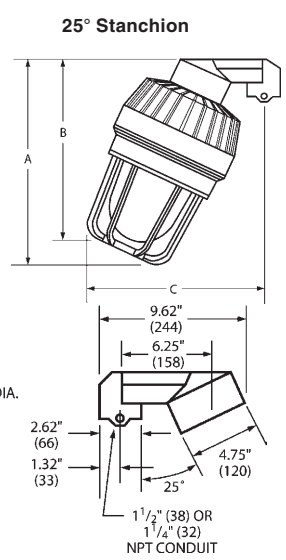
Pendant



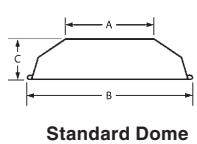
Ceiling



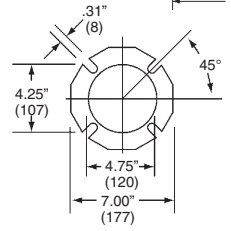
Wall



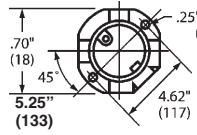
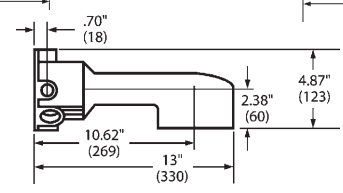
25° Stanchion



Standard Dome



Angle



REFLECTOR DIMENSIONS							
SERIES	STANDARD DOME			ANGLE			
	A	B	C	A	B	C	D
EMI15/EMI20	7-3/8"	14"	3-3/4"	7"	11-1/2"	7-3/4"	1"
EQF to 42W	(187)	(356)	(95)	(178)	(292)	(197)	(25)
EMI30/EMS	8-3/4"	16-1/8"	3-15/16"	8-3/4"	14-3/16"	7-3/4"	1"
EMH	(222)	(409)	(100)	(222)	(360)	(197)	(25)
EQF 52, 64, 84							



APPLICATION DATA



CEN Option

Applications

Killark EM/EB/ESX series fixtures are available with a European “Certificate of Conformity” from PTB (Physikalisch-Technische Bundesanstalt), the approval agency based in Germany. Fixtures with this rating will be useful for Original Equipment Manufacturers and others who build and ship apparatus into European markets.

This approval is granted by PTB with the use of a special ground lug and label. Fixtures carrying an EEx d IIB approval are automatically granted an IP54 (ingress protection) rating. See Temperature Code chart below for PTB certified ratings. Killark EM/EB/ESX fixtures with the PTB rating and labels still carry all UL & CSA ratings.

Fixture housing/globe/globe support assemblies (e.g. EM120 CEN) may be ordered with the CEN suffix. Complete fixture numbers, with the CEN suffix, will be shipped with the mounting boxes, guards and accessories as component parts. Reflectors and other accessory parts, as listed on page L146, may be used. Killark fixtures are NPT tapped and plugged with at least one conduit hole open.

Compliances

- EN 50014:1992

- EN 50018:1994

EEx d IIB T6 (or T5-T2)

PTB No. Ex-98.E.1076



EM/EB/EQ HAZARDOUS LOCATION DATA – CLASS I, DIV. 1 & 2 ①②							
FIXTURE SERIES	LAMP TYPE/SIZE MAX.	LAMP WATTS	RATED AMBIENT °C	SUPPLY WIRE SUITABLE FOR °C MIN.	CLASS I, DIVISIONS 1 & 2		
					MAXIMUM SURFACE TEMPERATURE °C		
					UL/CSA		
					WITH OR WITHOUT REFLECTOR		
					TEMP. I.D.	ACTUAL TEMP.	UL/CSA GROUPS
EMI15	INC A-19	60	40	75	T6	79	C,D
			55	75	T6		C,D
			65	75	T4A		C,D
EMI15	INC A-19	75	40	75	T4A	103	C,D
			55	90	T4A		C,D
			65	90	T4		C,D
EMI15	INC A-19	100	40	75	T4A	103	C,D
			55	90	T4A		C,D
			65	90	T4		C,D
EMI15	INC A-21	100	40	75	T4A	101	C,D
			55	90	T4A		C,D
			65	90	T4		C,D
EMI15	INC A-21	150	40	75	T4	123	C,D
			55	90	T3C		C,D
			65	90	T3C		C,D
EMI20	INC A-23	100	40	90	T4A	107	C,D
			55	90	T4		C,D
			65	90	T4		C,D
EMI20	INC A-23	150	40	90	T4	132	C,D
			55	90	T3C		C,D
			65	125	T3C		C,D
EMI20	INC PS-25	150	40	90	T4	126	C,D
			55	125	T3C		C,D
			65	125	T3C		C,D
EMI20	INC A-23	200	40	90	T3C	146	C,D
			55	90	T3B		C,D
			65	125	T3A		C,D
EMI20	INC PS-25	200	40	90	T3C	154	C,D
			55	90	T3A		C,D
			65	125	T3A		C,D
EMI20	INC PS-25	300	40	90	T3	190	C,D
			55	125	T2D		C,D
			65				C,D
EMI30	INC PS-25	200	40	125	T3C	146	C,D
			55	125	T3B		C,D
			65	125	T3A		C,D
EMI30	INC PS-25	300	40	125	T3C	143	C,D
			55	125	T3B		C,D
			65	125	T3A		C,D
EMI30	INC PS-30	200	40	125	T3C	146	C,D
			55	125	T3B		C,D
			65	125	T3A		C,D
EMI30	INC PS-30	300	40	125	T3C	146	C,D
			55	125	T3B		C,D
			65	125	T3A		C,D
EQF26	1 26W Quad-Pin	26	40	75	T6	75	C,D
EQF32	1 32W Quad-Pin	32	40	75	T6	75	C,D
EQF42	1 42W Quad-Pin	42	40	75	T6	75	C,D
EQF52	2 26W Quad-Pin	52	40	75	T6	85	C,D
EQF64	2 32W Quad-Pin	64	40	75	T6	85	C,D
EQF84	2 42W Quad-Pin	84	40	75	T6	85	C,D
EMS35		35	40	75	T6	65	C,D
			55	90	T5		C,D
			65	90	T4A		C,D
EMS05		50	40	75	T6	68	C,D
			55	75	T6		C,D
			65	90	T5		C,D
EMS07		70	40	75	T6	83	C,D
			55	90	T5		C,D
			65	90	T4A		C,D
EMS100		100	40	75	T5	99	C,D
			55	90	T4A		C,D
			65	125	T4A		C,D
EMS151		150	40	75	T4A	119	C,D
			55	90	T4		C,D
			65	125	T3C		C,D
EMH05		50	40	75	T6	78	C,D
			55	90	T5		C,D
			65	125	T4A		C,D
EMH07		75	40	75	T5	95	C,D
			55	90	T4A		C,D
			65	125	T4A		C,D
EMH100		100	40	75	T4A	101	C,D
			55	90	T4		C,D
			65	125	T3C		C,D

MAXIMUM AMBIENT TEMPERATURE RANGE -20°C TO 40°C				
TYPE OF LUMINAIRE	TYPE OF ENCLOSURE	FORM OF THE LAMP	MAXIMUM WATTAGE	TEMP. CLASS
EMI15	EMx20	A-19/A-21	150W	T4
EMI20	EMx20	A-23/PS-25	300W	T3
EMI30	EMx30	PS-25/PS-30	300W	T2
EMH05	EMx30	BD17/M-110	50W	T6
EMH07	EMx30	BD17/M-98	70W	T5
EMH10	EMx30	BD17/M-90	100W	T4
EMS35	EMx30	ED17/S-76	35W	T6
EMS05	EMx30	ED17/S-68	50W	T6
EMS07	EMx30	ED17/S-62	70W	T5
EMS10	EMx30	ED17/S-54	100W	T5
EMS15	EMx30	ED17/S-55	150W	T4
ESXx120	EMx30	120V AC	0.17 A	T6
ESXx240	EMx30	240V AC	0.12 A	T6
ESXx1274	EMx30	12 TO 74 V DC	1.25 TI 0.2 A	T6

① Do not install where marked operating temperature exceeds ignition temperature of hazardous atmosphere.

② See Class II table for simultaneous presence ratings.



LIGHTING

APPLICATION DATA

EM/EB/EQ HAZARDOUS LOCATION DATA – CLASS II, III, DIVISIONS 1 & 2 ①②														
FIXTURE SERIES	LAMP TYPE/SIZE MAX.	LAMP WATTS	RATED AMBIENT °C	SUPPLY WIRE SUITABLE FOR °C HOSEMIN.	CLASS II, DIV. 1 & 2 MAXIMUM SURFACE TEMPERATURE °C				UL/CSA GROUPS	CLASS III DIV. 1 & 2 UL/CSA SUITABILITY	UL MARINE LISTED	U.L. PAINT SPRAY SUITABILITY	UL/CSA TYPE (RAIN-TIGHT)	UL/CSA TYPE 4 (HOSE-DOWN) ③
					UL/CSA WITHOUT REFLECTOR		UL/CSA WITH REFLECTOR							
					TEMP. I.D.	ACTUAL TEMP. °C	TEMP. I.D.	ACTUAL TEMP. °C						
EMI15	INC A-19	60	40	75	T3C	132	T3C	132	E,F,G	YES	YES	NO	YES	YES
			55	75	T3A			E,F	NO	YES	NO	YES	YES	
			65	75	T3A			E,F						
EMI15	INC A-19	75	40	75	T3A	163	T3A	162	E,F	NO	YES	NO	YES	YES
			55	90	T3A		T3A		E,F	NO	YES	NO	YES	YES
			65	90	T3A		T3A		E,F	NO	YES	NO	YES	YES
EMI15	INC A-19	100	40	75	T3A	163	T3A	162	E,F	NO	YES	NO	YES	YES
			55	90	T3A		T3A		E,F	NO	YES	NO	YES	YES
			65	90	T3A		T3		E,F	NO	YES	NO	YES	YES
EMI15	INC A-21	100	40	75	T3A	172	T3A	172	E,F	NO	YES	NO	YES	YES
			55	90	T3				E,F	NO	YES	NO	YES	YES
			65	90	T3				E,F	NO	YES	NO	YES	YES
EMI15	INC A-21	150	40	75	N/A	192	T3	192	E,F	NO	YES	NO	YES	YES
			55		N/A									
			65		N/A									
EMI20	INC A-23	100	40	90	T3A	166	T3A	166	E,F	NO	YES	NO	YES	YES
			55	90	T3				E,F	NO	YES	NO	YES	YES
			65		N/A									
EMI20	INC A-23	150	40	90	T3	196	T3A	178	E,F	NO	YES	NO	YES	YES
			55	90	T3				E,F	NO	YES	NO	YES	YES
			65		N/A									
EMI20	INC PS-25	150	40	90	N/A	N/A	N/A	N/A	NO	NO	YES	NO	YES	YES
			55		N/A									
			65		N/A									
EMI20	INC A-23	200	40	90	N/A	N/A	N/A	N/A	NO	NO	YES	NO	YES	YES
			55		N/A									
			65		N/A									
EMI20	INC PS-25	200	40	90	N/A	N/A	N/A	N/A	NO	NO	YES	NO	YES	YES
			55		N/A									
			65		N/A									
EMI20	INC PS-25	300	40	90	N/A	N/A	N/A	N/A	NO	NO	YES	NO	YES	YES
			55		N/A									
			65		N/A									
EMI30	INC PS-25	200	40	110	N/A	N/A	N/A	N/A	NO	NO	YES	NO	YES	YES
			55		N/A									
			65		N/A									
EMI30	INC PS-25	300	40	110	N/A	N/A	N/A	N/A	NO	NO	YES	NO	YES	YES
			55		N/A									
			65		N/A									
EMI30	INC PS-30	200	40	110	N/A	N/A	N/A	N/A	NO	NO	YES	NO	YES	YES
			55		N/A									
			65		N/A									
EMI30	INC PS-30	300	40	110	N/A	N/A	N/A	N/A	NO	NO	YES	NO	YES	YES
			55		N/A									
			65		N/A									
EQF26	1 26W Quad-Pin	26	40	75	T4	135	T4	135	E,F,G	YES	NO	YES	YES	YES
EQF32	1 32W Quad-Pin	32	40	75	T4	135	T4	135	E,F,G	YES	NO	YES	YES	YES
EQF42	1 42W Quad-Pin	42	40	75	T4	135	T4	135	E,F,G	YES	NO	YES	YES	YES
EQF52	2 26W Quad-Pin	52	40	75	T4	135	T4	135	E,F,G	YES	NO	YES	YES	YES
EQF64	2 32W Quad-Pin	64	40	75	T4	135	T4	135	E,F,G	YES	NO	YES	YES	YES
EQF84	2 42W Quad-Pin	84	40	75	T4	135	T4	135	E,F,G	YES	NO	YES	YES	YES
EMS35	HPS S-70	35	40	75	T4A	116	T4A	116	E,F,G	YES	YES	YES	YES	YES
			55		N/A									
			65		N/A									
EMS05	HPS S-68	50	40	75	T4A	116	T4A	116	E,F,G	YES	YES	YES	YES	YES
			55	75	T4				E,F,G					
			65	90	T3C				E,F,G					
EMS07	HPS S-62	70	40	75	T4A	116	T4A	116	E,F,G	YES	YES	YES	YES	YES
			55	90	T4				E,F,G	YES	YES	YES	YES	YES
			65	90	T3C				E,F,G	YES	YES	YES	YES	YES
EMS100	HPS S-54	100	40	75	T3B	161	T3B	161	E,F,G	YES	YES	NO	YES	YES
			55		N/A									
			65		N/A									
EMS150	HPS S-55	150	40	75	T3A	180	T3B	180	E,F	NO	YES	NO	YES	YES
			55	90	T3		T3A		E,F	NO	YES	NO	YES	YES
			65		N/A									
EMH05	MH M-110	50	40	75	T4	121	T4	121	E,F,G	YES	YES	YES	YES	YES
			55	90	T3C		T3A		E,F	NO	YES	YES	YES	YES
			65	110	T3B		T3A		E,F,G	NO	YES	YES	YES	YES
EMH07	MH M-98	70	40	75	T4	121	T4	121	E,F,G	YES	YES	YES	YES	YES
			55	90	T3C		T3C		E,F,G	YES	YES	YES	YES	YES
			65	110	T3B		T3C		E,F,G	YES	YES	YES	YES	YES
EMH100	MH M-90	100	40	75	T3C	153	T3C	153	E,F,G	YES	YES	NO	YES	YES
			55	90	T3A				NO	YES	YES	NO	YES	YES
			65		N/A									

① Do not install where marked operating temperature exceeds ignition temperature of hazardous atmosphere.

② Fixtures rated for simultaneous presence as shown in Class II table (unless marked with N/A).

③ For UL-Marine and UL/CSA Type 4 listing add suffix "ML" to "EMI" Series fixture catalog number; standard on "EMS" and "EMH" series. Not available on "EQF" series.